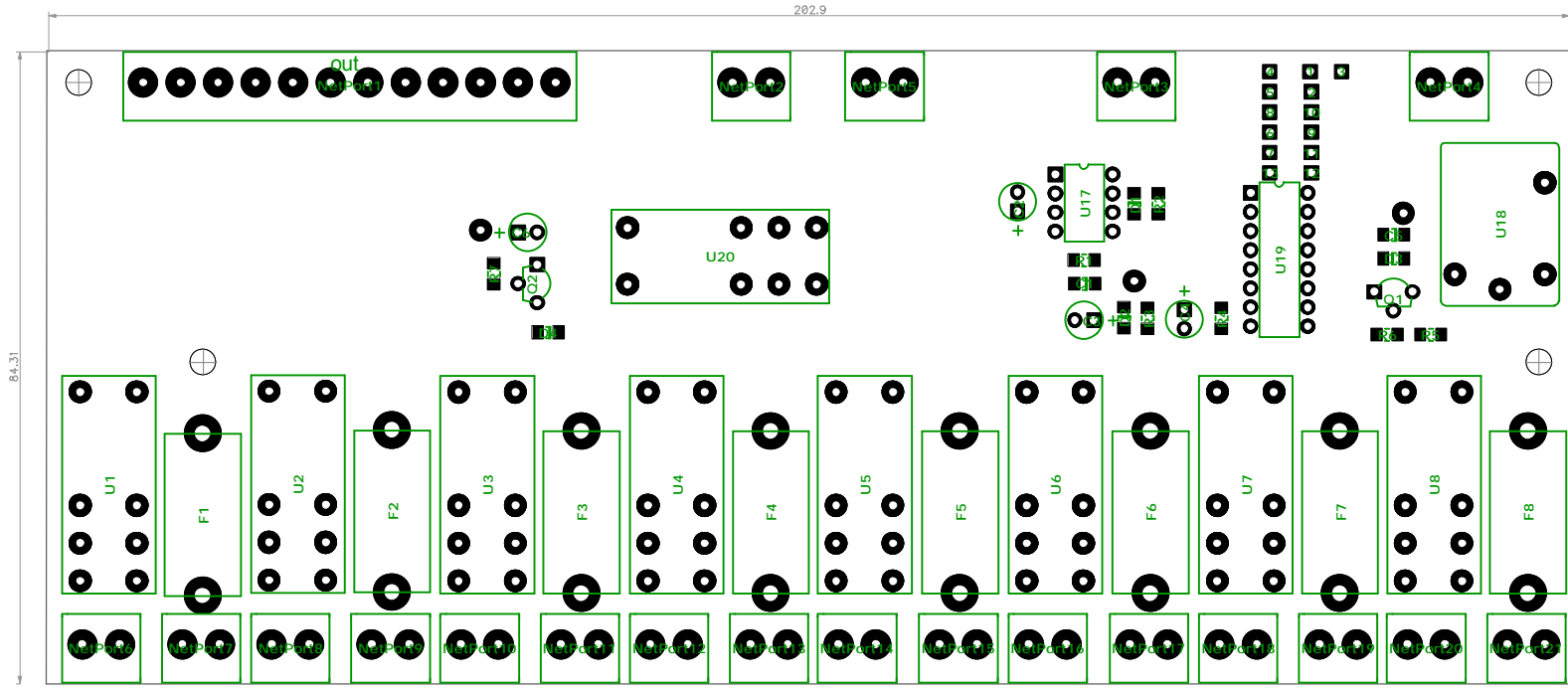


RevNo	Revision note	Date	Signature	Checked
-------	---------------	------	-----------	---------



Itemref	Quantity	Title/Name, designation, material, dimension etc		Article No./Reference	
Designed by C.M. George		Checked by C.M. George	Approved by - date - 17/04/2014	File name	Date 17/04/2014
			Scale 1:1		
			Edition 0		
			electonica-project.net		Sheet 1/1