

RevNo	Revision note	Date	Signature	Checked
-------	---------------	------	-----------	---------

A

A

B

B

C

C

D

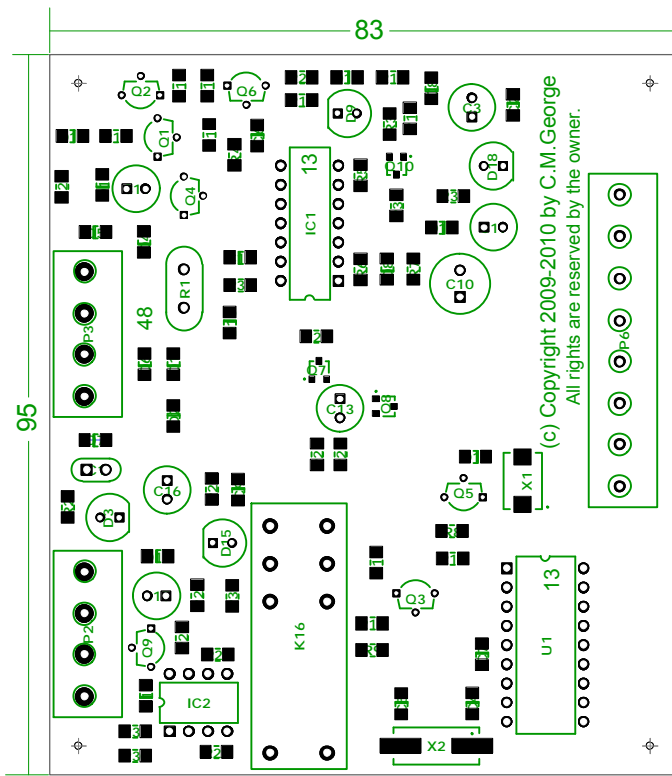
D

E

E

F

F



Acest project are producator.

Itemref	Quantity	Title/Name, designation, material, dimension etc		Article No./Reference	
Designed by C.M. George	Checked by C.M. George	Approved by - date 02/11/2008	File name	Date 02/11/2008	Scale 1:1
electronica-project.net					
					Edition 0